

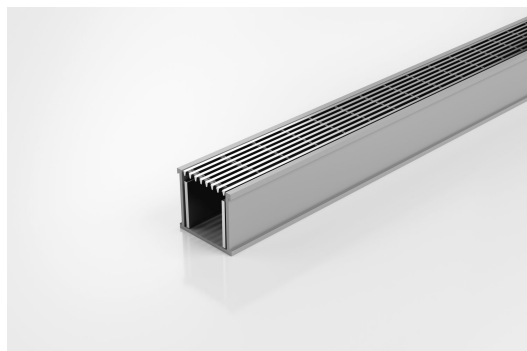


ARCHITECTURAL  
GRATES + DRAINS



# 38ARG40

## Linear Drain



**Modular drainage kit with stainless steel grate(s), a uPVC drainage channel and fittings.**

The 38AR40 is a premium architectural style grate featuring a 2mm wire/2.5mm gap.

The grate(s) are manufactured from 316 marine grade stainless steel and the channel and fittings from uPVC.

Lengths over 3000mm available on request.

**Refer to AS3500 for outlet pipe sizes specific to your installation.**

**Code 38ARG40**

**Range 38**

**Grate Style AR**

**Category Modular Kits**

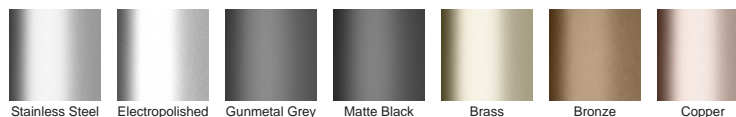
**Channel Material uPVC**

**Steel Grade 316**

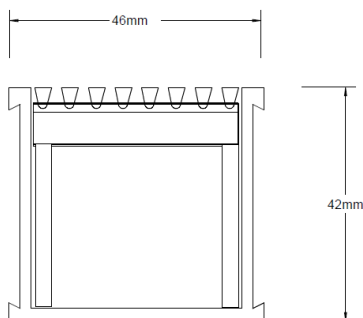
### SPECIFICATIONS + DIMENSIONS

<b>Channel Width</b>	46mm
<b>Channel Depth</b>	42mm
<b>Length(s)</b>	1200mm 1500mm 2400mm 2700mm
<b>Outlet Size</b>	3000mm DN40, DN50

### STORMTECH COLOUR FINISHES



**Electroplate finishes subject to natural variation with time and local environment. Factors such as pools/surf beaches may require electropolishing. Contact us for suitability.**



Grates longer than 1500mm supplied in sections. Tile Inserts longer than 1200mm supplied in sections. Channels over 3000mm supplied in sections with joiner. +/-2mm tolerance on dimensions.

### PRODUCT APPLICATIONS

- |                             |                            |
|-----------------------------|----------------------------|
| Bathroom Drainage           | Hospitality Drainage       |
| Aged / Health Care Drainage | Paved Area Drainage        |
| Balcony Drainage            | Shower Drainage            |
| Commercial Drainage         | Multi-Residential Drainage |
| Courtyard / Patio Drainage  | Special Needs Drainage     |
| Pool and Spa Area Drainage  | Threshold Drainage         |

Copyright © Stormtech Pty Ltd. Patent 733361. Drawings not to scale, please use dimensions shown. Downloaded 15/06/2026 (please check for updates)



Visit **stormtech.com.au**  
for tools + inspiration.

Phone **1300 653 403**

Email **info@stormtech.com.au**